

WALL OPENING KITS

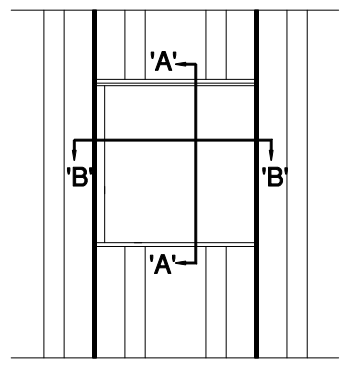
PRODUCT DESCRIPTION

WALL OPENING KIT

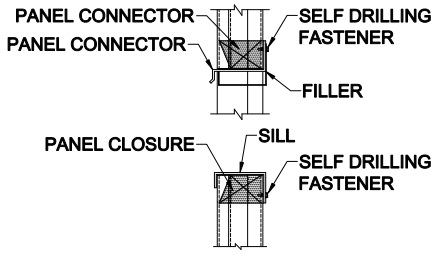
All necessary framing and connectors to structurally replace the panels removed by wall opening. All trim and flashings required to make a unit placed in the opening weathertight, shall be provided by the supplier of the unit being installed.

Standard Widths :

- 1'-4"
- 2'-8"
- 4'-0"
- 5'-4"
- 6'-8"

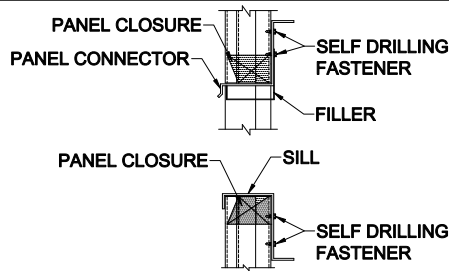


EXTERIOR ELEVATION



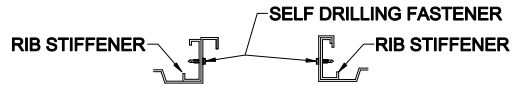
SECT. 'A'-'A'

(FOR 1'-4", 2'-8", 4'-0" WIDE)



SECT. 'A'-'A'

(FOR 5'-4", 6'-8" WIDE)



SECT. 'B'-'B'

Wall Opening Kit

PRODUCT NAME

WALL OPENING KIT

MANUFACTURER

Parkline, Inc.
 P.O. Box 65
 Winfield, West Virginia 25213
 Phone: (304) 586-2113 in WV
 (800) 786-4855 outside WV
 (304) 586-3842 FAX
 web: <http://www.parkline.com>
 E-mail: parkline@parkline.com



13122 WOK