

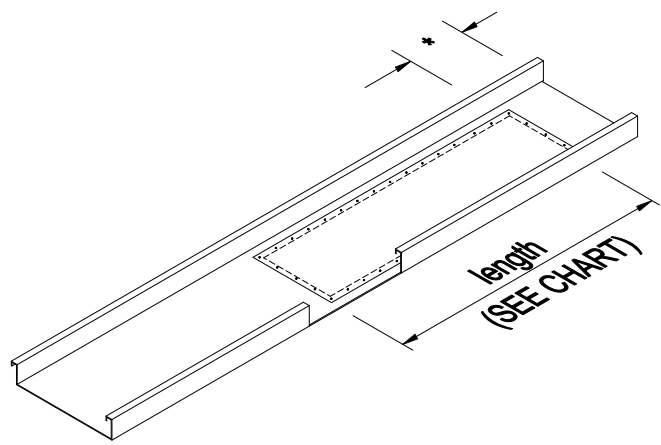
SKYLIGHTS S , AL - TYPE BLDG.

PRODUCT DESCRIPTION

SKYLIGHTS

A Skylight Panel shall be flat polycarbonate sheet, factory assembled into a standard 16" wide flush interlocking panel. The polycarbonate sheet shall be 1/8" thick, clear with a matte finish, having a light transmission factor of approximately 70 %. The panel shall meet ANSI Z 97.1 safety glazing standard and UL 94 flammability rating.

SKYLIGHT SIZE	'S' BLDG. WIDTHS	'AL' BLDG. WIDTHS
12" x 2'-0"	N/A	8'-0"
12" x 4'-0"	5'-4" and 6'-8"	12'-0"
12" x 6'-0"	8'-0" - 20'-0"	16'-0" - 32'-0"



* 6" FROM RIDGE FOR "AL" TYPE BUILDINGS.
SKYLIGHT IS CENTERED IN PANEL FOR
"S" TYPE BUILDINGS.

NOTE :

1. - Skylight panels are field located as required.
2. - Skylight panels must have a minimum of one solid panel between each skylight for proper roof support.
3. - Skylights for 6" rib roof panels are 8" wide in lieu of 12".

PRODUCT NAME

Skylights

MANUFACTURER

Parkline, Inc.
 P.O. Box 65
 Winfield, West Virginia 25213
 Phone: (304) 586-2113 in WV
 (800) 786-4855 outside WV
 (304) 586-3842 FAX
 web: <http://www.parkline.com>
 E-mail: parkline@parkline.com



13122 SKL