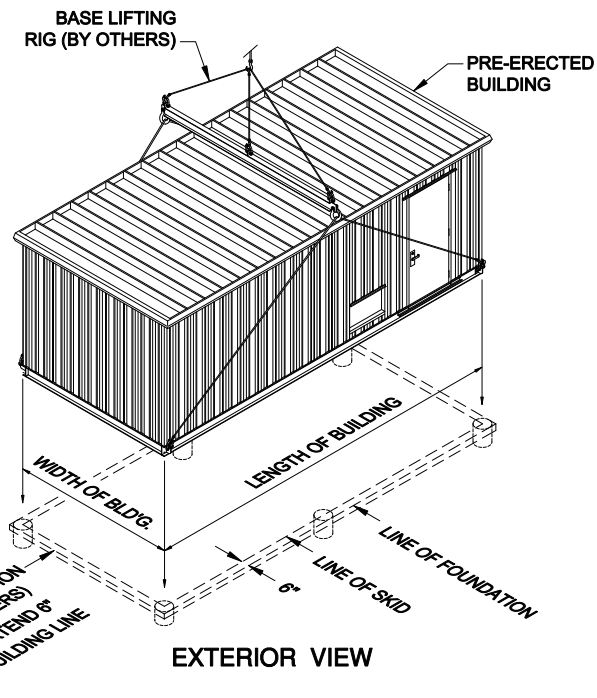
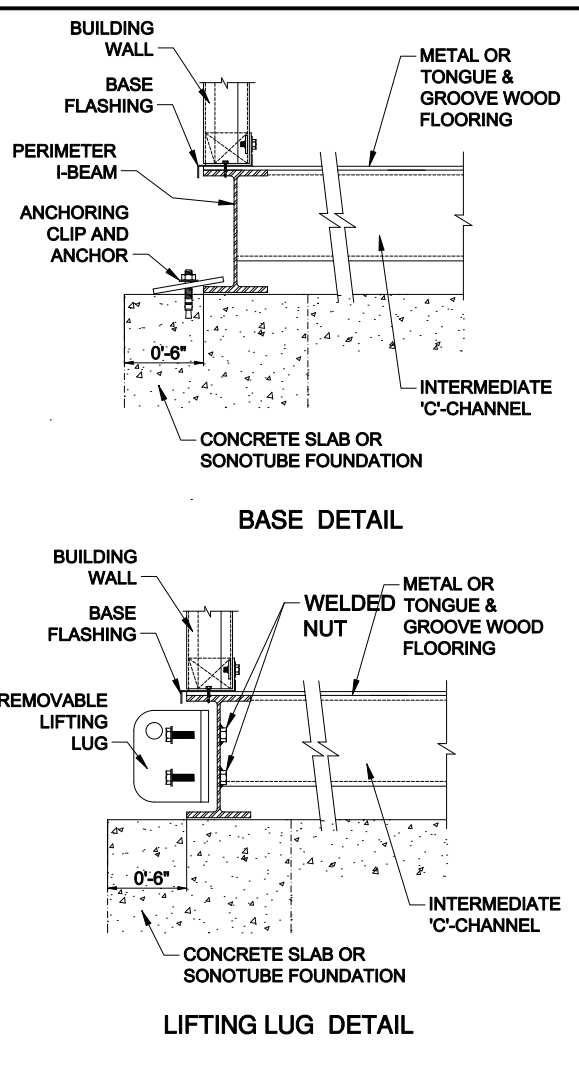


FACTORY ASSEMBLED BUILDING

structural skid with floor



Skid Design

Each building shall have a structural perimeter frame with floor system. Frame and floor system shall be sized to structurally support the building and all accessories. Removable lifting lugs shall be provided at corners of the skid. Floor system will be designed per project. Floor system can be insulated to meet building codes.

Building Design

Factory assembled buildings consist of a self framing building, using the walls and roof as the structural system. Each building shall have a roof slope of 1½" over width the building width. The roof system shall include gutter and rake trim for a finished appearance. Building to include accessories, electrical, HAVC and interior finishes as required by the customer. All assemblies will be completed in a controlled environment to insure a quality product.

PRODUCT NAME

FACTORY ASSEMBLED BUILDING

- Building to be mounted on a structural skid with floor.
- Building to be lifted from base roof.

MANUFACTURER

Parkline, Inc.
P.O. Box 65
Winfield, West Virginia 25213
Phone: (304) 586-2113 in WV
(800) 786-4855 outside WV
(304) 586-3842 FAX
web: <http://www.parkline.com>
E-mail: parkline@parkline.com



13122 PRE-F