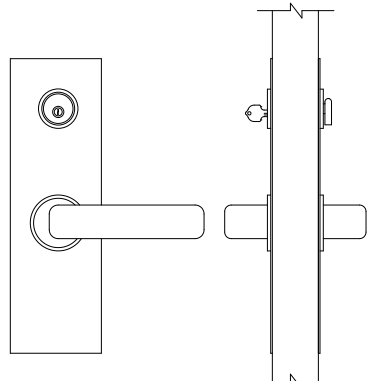
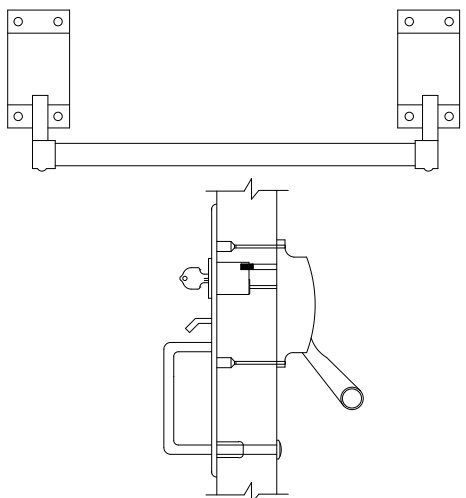


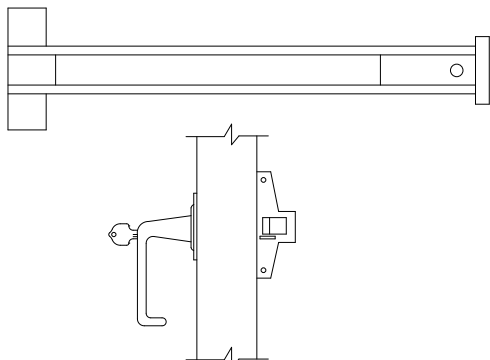
# HOLLOW METAL DOOR HARDWARE



**MORTISE LOCKSET**



**CROSS BAR**



**PUSH PAD**

## PRODUCT DESCRIPTION

### STANDARD DOOR HARDWARE

- a) - (3) 4½" steel hinges per ANSI #A5133 630 Satin Stainless Steel Finish with non-rising pins.
- b) - 3¹¹⁄₁₆" wide, ⁵⁄₈" high extruded aluminum threshold. (out swing)
- c) - ¼" x 1¼" vinyl / aluminum rigid weatherstripping.
- d) - Mortise lockset per ANSI A156.13, Series 100, Grade 1, Function F13, 626 Satin Chrome Finish. Supplied with levers both sides.

### OPTIONAL DOOR HARDWARE:

- e) - Rim type "Cross Bar" panic device per ANSI A156.3, Type 1, Grade 1, Function 05, with 630 Stainless Finish.
- f) - Rim type "Push Pad" panic device built to ANSI A156.3, Type 1, Grade 1, Function 08, Aluminum Lacquer Finish / 626 Satin Chrome Exterior.
- g) - Cylindrical key in knob lockset per ANSI A125.2, Series 4000, Grade 2, Function F81, with 626 Satin Chrome Finish.
- h) - Passage set per ANSI A125.2, Series 4000, Grade 2, Function F75, 626 Satin Chrome Finish.
- i) - Door closer is certified to conform to ANSI 156.4, Grade 1 and meets exterior barrier free codes in Aluminum Lacquer Finish 689.
- j) - 23" wide x 20" high adjustable blade louver with mesh insect screen.
- k) - ADA (The Americans with Disabilities Act) Package.

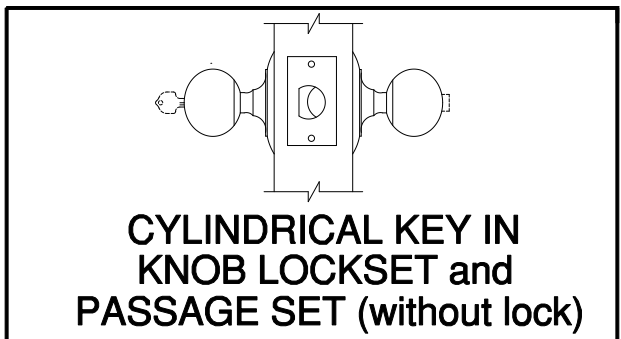
## PRODUCT NAME

Hollow Metal Door Hardware

## MANUFACTURER

Parkline, Inc.  
 P.O. Box 65  
 Winfield, West Virginia 25213  
 Phone: (304) 586-2113 in WV  
 (800) 786-4855 outside WV  
 (304) 586-3842 FAX

web: <http://www.parkline.com>  
 E-mail: [parkline@parkline.com](mailto:parkline@parkline.com)



**13122 HMD 4**